

installation instructions:

WOOD SLAT WALL

SAFETY INSTRUCTIONS

Make sure to use the correct tools recommended.

Wear proper protective gear.

Follow fixture, power tools, and paint manufacturers' instructions and users manuals.

Use common sense and follow good construction practices.

TOOL & MATERIAL CHECKLIST

- Standard power grab
- Adhesive
- Small brad nails
- Brad nailer or hammer
- Quality Paint or stain
- Paint brush or roller
- Fine sandpaper
- Chalk line & measuring tape
- Circular or Table Saw

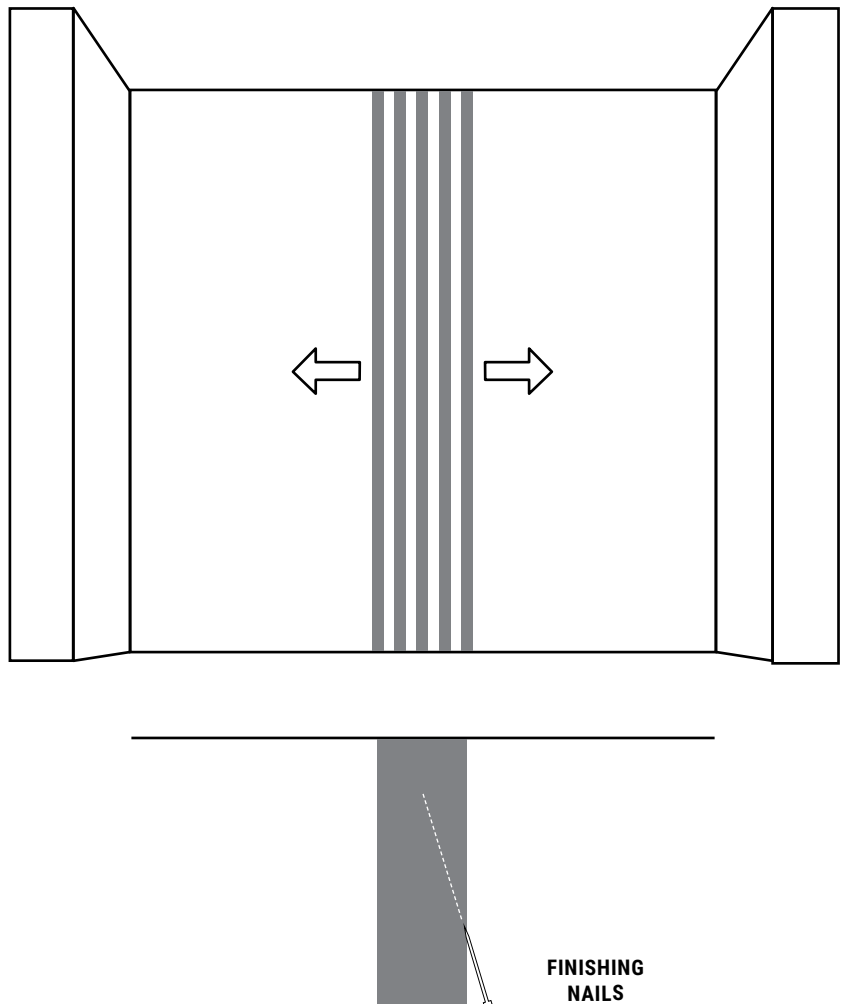
IMPORTANT INFO

- Clean and prep the installation surface and each Slat of any debris with a clean cloth.
- It is highly recommended that you paint or stain the panels before installation.
- It is recommended to use quality and stain for all wood species.
- Make sure the surface and the back of the panel are completely dry before installation.
- Before installing, acclimate the wood Slats in the room where you will be installing them.
- In most applications you will have to trim some panels. Cut them with a standard table saw or power tool. Sand cut edge ends and clean away any debris.
- Depending on your installation method, use standard power grip adhesive and brad nails.

INSTALL INSTRUCTIONS:

1. Prep and stain Slats before installing. Touch up stain as needed after installation.
2. Smooth installation surface with sandpaper by removing excessive bumps or texture. Wipe wall clean to clear debris.
3. We recommend laying out the desired layout before installation as these are completely customizable and space is up to you. Mark the installation points using a chalk line or straight edge and level.
4. Apply a small amount of adhesive to the back of the panel and secure with small brad nails. (Follow adhesive manufacturer's instructions for proper application.)
5. Once the first one is installed, repeat step 4 on the rest of the Slats

EXAMPLE DIAGRAM:



Industry leading manufacturer of urethane, PVC, wood, rustic, and metal millwork

We Can Help. Call (866) 607-0453

www.ekenamillwork.com